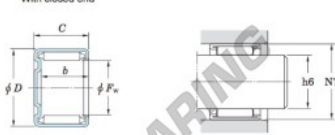


## Cuscinetti a rullini 45MM5220-JTEKT - 45MM5220-JTEKT

<https://www.123cuscinetti.it/cuscinetti-supporti/cuscinetti-rullini/rullini/45mm5220-jtekt>

Drawn cup needle roller bearings 

Full complement type  
With closed end



Boundary dimensions (mm)			Basic load ratings (kN)		Limiting speeds (min <sup>-1</sup> )		Bearing No. <sup>2)</sup>		
$F_w$	$D$	$C$	$b$ min.	$C_r$	$C_{0r}$	Oil lub.	Caged type		
								With open ends	With closed end
45	52	20	17.2	30.4	90.1	2 900			

Full complement type		Recommended dimensions (mm)				(Refer.) Mass (g)	
With open ends	With closed end	Shaft dia. (φ6)		Housing bore dia. (N7)		With open ends	With closed end
		min.	max.	min.	max.		
	45MM5220	44.984	45.000	51.961	51.991	62	71

### CARATTERISTICHE DEL PRODOTTO

Marchio	JTEKT
N° Ean13	3663952472782
Diametro interno	45 mm
Diametro esterno	52 mm
Spessore	20 mm
Peso	71 g
Imballaggio	1

[contatto@123cuscinetti.it](mailto:contatto@123cuscinetti.it)

+33 3 59 36 04 90

CRT4 de Lesquin 60 Rue Du Haut De Sainghin 59273 Fretin FRANCE