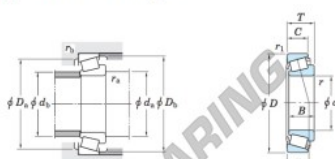


Cuscinetti conico 759-752-JTEKT - 759-752-JTEKT

<https://www.123cuscinetti.it/cuscinetti-supporti/cuscinetti-rulli/conico/759-752-jtekt>

Single-row tapered roller bearings
inch series



Koyo

Boundary dimensions (mm)							Basic load ratings (kN)		Limiting speeds (min ⁻¹)	
<i>d</i>	<i>D</i>	<i>T</i>	<i>B</i>	<i>C</i>	<i>r_a</i> max.	<i>r_b</i> max.	<i>C_r</i>	<i>C₁₀</i>	Grease lub.	Oil lub.
88.900	161.925	47.625	48.260	38.100	3.6	3.2	273	391	2 400	3 200

Bearing No.		Load center (mm)	Mounting dimensions (mm)					Constant	Axial load factors		(Refer.) Mass (kg)		
Inner ring	Outer ring	<i>a</i>	<i>d_a</i>	<i>d_b</i>	<i>D_a</i>	<i>D_b</i>	<i>r_a</i> max.	<i>r_b</i> max.	<i>e</i>	<i>Y₁</i>	<i>Y₂</i>	Inner ring	Outer ring
759	752	35.5	106.0	99.0	144.0	150.0	3.6	3.2	0.34	1.76	0.97	2.50	1.59

CARATTERISTICHE DEL PRODOTTO

Marchio	JTEKT
N° Ean13	4549250203534
Diametro interno	88.9 mm
Diametro esterno	161.925 mm
Spessore	47.625 mm
Imballaggio	1

contatto@123cuscinetti.it

+33 3 59 36 04 90

CRT4 de Lesquin 60 Rue Du Haut De Sainghin 59273 Fretin FRANCE