



Cuscinetti a sfera fila unica SA042-AR0-RBC - SA042-AR0-RBC

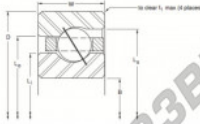
<https://www.123cuscinetti.it/cuscinetti-supporti/cuscinetti-sfera/fila-unica/sa042-ar0-rbc>

**ANGULAR CONTACT, A-TYPE
THIN SECTION BALL BEARINGS**



- 440C Stainless Steel
- Large Diameter
- Light Weight
- Small Cross Section
- Circular Pocket Ball Separator





(a) (b) (c) (d) (e) (f) (g) (h) (i) (j) (k) (l) (m) (n) (o) (p) (q) (r) (s) (t) (u) (v) (w) (x) (y) (z)

PART NUMBER		NOMINAL DIMENSIONS										LOAD RATINGS				Limiting Speed (GPM)
S	Bore	Outside Diameter	W	Lead Diameter			Tensile		Moment		Static	Dynamic	Static	Dynamic		
				U - Inner Ring	U - Outer Ring	U - Counter Bore	Ro	Rf	Ri	Rd						
SA042AR0RBC	4.200	107.950	4.700	120.650	0.2500	6.500	4.458	112.73	4.563	116.80	4.625	117.48	0.025	0.84	1.8	4.440

CARATTERISTICHE DEL PRODOTTO

Marchio	RBC
N° Ean13	3663952548357
Diametro interno	107.95 mm
Diametro interno	4 1/4" inch
Diametro esterno	120.65 mm
Diametro esterno	4 3/4" inch
Spessore	6.35 mm
Spessore	1/4" inch
Peso	91 g
Imballaggio	1

contatto@123cuscinetti.it

+33 3 59 36 04 90

CRT4 de Lesquin 60 Rue Du Haut De Sainghin 59273 Fretin FRANCE