


Teste a snodo SI BRF5-8-00-502-DURBAL - BRF5-8-00-502-DURBAL

<https://www.123cuscinetti.it/cuscinetti-supporti/teste-snodo/si/brf5-8-00-502-durbal>

BRF5/8-00-502 

rod end housing:
forged steel, case-hardened bearing race, superfinished, surface galvanized, free of Cr VI

inner ring:
ball bearing steel, hardened, superfinished

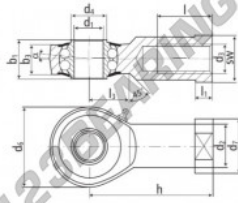
lubrication:
aluminum complex soap-grease, temperature range -45 °C to +120 °C, approval according to USDA H1

lubrication fitting:
DIN 3405 D1/A (sizes 1/4 and 3/8)
DIN 71 412 H1 (sizes 1/2 and 1 1/4)


bearing clearance:
10 - 30 µm radial

tolerances:
see page 10

DURBAL® heavy-duty rod ends with integral self-aligning ball bearing



female thread:
long-term lubrication, low maintenance, shields, dimensions in inches



order number		measurements [inches]											
type	right hand thread / left hand thread	d ₁	d ₂	d ₃ Class 2	d ₄	d ₅	d ₆	d ₇	b ₁	b ₂	b ₃		
BRF 5/8 -00	-502	.625	.866	.6250-18 UNF	.744	1.653	1.062	.826	.590				
measurements [inches]		weight	calculation factors	rotational speed limit	basic load rating stat.								
type	h	l	l ₁	l ₂	SW	α [°]	w	Y	%	Trmax [mm]	C [N]	C ₀ [N]	
BRF 5/8	2.539	1.102	.322	.885	.866	8.0	0,220	2,24	2,35		975	6250	2350

CARATTERISTICHE DEL PRODOTTO

Marchio	DURBAL
N° Ean13	3663952510163
Diametro interno	15.88 mm
Diametro esterno	41.99 mm
Spessore	20.98 mm
Tipo	SI
Peso	220 g
Il filo	Filetto sinistro
Lubrificazione	con
Imballaggio	1

contatto@123cuscinetti.it

+33 3 59 36 04 90

CRT4 de Lesquin 60 Rue Du Haut De Sainghin 59273 Fretin FRANCE