


## Teste a snodo SI BRF3-8-00-501-DURBAL - BRF3-8-00-501-DURBAL

<https://www.123cuscinetti.it/cuscinetti-supporti/teste-snodo/si/brf3-8-00-501-durbal>

**BRF3/8-00-501** 

**rod end housing:**  
forged steel, case-hardened bearing race, superfinished, surface galvanized, free of Cr VI

**inner ring:**  
ball bearing steel, hardened, superfinished

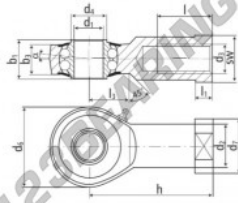
**lubrication:**  
aluminum complex soap-grease, temperature range -45 °C to +120 °C, approval according to USDA H1

**lubrication fitting:**  
DIN 3405 D1/A (sizes 1/4 and 3/8)  
DIN 71 412 H1 (sizes 1/2 and 1 1/4)


**bearing clearance:**  
10 - 30 µm radial

**tolerances:**  
see page 10

**DURBAL® heavy-duty rod ends with integral self-aligning ball bearing**



**female thread:**  
long-term lubrication, low maintenance, shields, dimensions in inches



order number		measurements [inches]										
type	right hand thread	left hand thread	d1	d2	d3	d4	d5	d6	d7	b1	b2	b3
BRF 3/8 -00	-501		.375	.590	.3750-24 UNF	.468	1.102	.748	.551	.413		
measurements [inches]		weight	calculation factors	rotational speed limit	basic load rating							
type	h	l	l1	l2	SW	α [°]	weight [kg]	Y	%	rpm	C [N]	C0 [N]
BRF 3/8	1.712	.787	.299	.590	.669	8.0	0,072	1,87	1,83	1225	4360	1425

### CARATTERISTICHE DEL PRODOTTO

Marchio	DURBAL
N° Ean13	3663952510132
Diametro interno	9.53 mm
Diametro esterno	27.99 mm
Spessore	14 mm
Tipo	SI
Peso	72 g
Il filo	Filetto destro
Lubrificazione	con
Imballaggio	1

[contatto@123cuscinetti.it](mailto:contatto@123cuscinetti.it)

+33 3 59 36 04 90

CRT4 de Lesquin 60 Rue Du Haut De Sainghin 59273 Fretin FRANCE