

Teste a snodo SA


BEM16-20-501-DURBAL - BEM16-20-501-DURBAL

<https://www.123cuscinetti.it/cuscinetti-supporti/teste-snodo/sa/bem16-20-501-durbal>

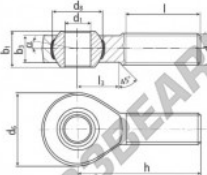
BEM16-20-501



male thread:
maintenance free,
adapter sizes
according to
DIN ISO 12240-4,
series K



**DURBAL® heavy-duty rod ends
with integral spherical
plain bearing**



rod end housing:
forged steel, tempered, rolled thread,
surface galvanized, free of Cr-VI

joint ball:
ball bearing steel, hardened and ground,
surface superfinished and chromium
plated

race:
nylon / teflon / glass fibre compound

tolerances:
see page 10

order number		measurements [mm]		weight		basic load rating	
type	type	d ₁	d ₂	d ₃	d ₄	b ₁	b ₂
BEM 16 -20 -501		16	M 16	42	28,52	21	15,0
measurements [mm]		weight		basic load rating			
type	h	l	l ₃	α ₁ °	α ₂ °	C	C ₀
BEM 16	66	40	22	15,5	8,5	[kg]	[N]
						0,202	22410 56600

CARATTERISTICHE DEL PRODOTTO

Marchio	DURBAL
N° Ean13	3616060468239
Diametro interno	16 mm
Diametro esterno	42 mm
Spessore	21 mm
Tipo	GE
Peso	202 g
Il filo	Filetto destro
Lubrificazione	senza
Imballaggio	1

contatto@123cuscinetti.it

+33 3 59 36 04 90

CRT4 de Lesquin 60 Rue Du Haut De Sainghin 59273 Fretin FRANCE