

## Teste a snodo SI

### BRF16-00-502-DURBAL - BRF16-00-502-DURBAL

<https://www.123cuscinetti.it/cuscinetti-supporti/teste-snodo/si/brf16-00-502-durbal>

#### BRF16-00-502



**rod end housing:**  
forged steel, case-hardened bearing race, superfinished, surface galvanized, free of Cr VI.

**inner ring:**  
ball bearing steel, hardened, superfinished.

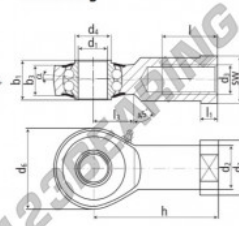
**lubrication:**  
aluminium-complex-soap-grease, temperature range -45 °C to +120 °C, approval according to USDA H1

**lubrication fitting:**  
DIN 3405 D1/A (sizes 6 to 10)  
DIN 71 412 H1 (sizes 12 to 30)


**bearing clearance:**  
10 - 30 µm radial

**tolerances:**  
see page 10

**DURBAL® heavy-duty rod ends with integral self-aligning ball bearing**



**female thread:**  
long-term lubrication, low maintenance, shields, adapter sizes according to DIN ISO 12240-4, series K



order number		measurements [mm]										
type	right-hand / left-hand thread	d <sub>1</sub>	d <sub>2</sub>	d <sub>3</sub>	d <sub>4</sub>	d <sub>5</sub>	d <sub>7</sub>	b <sub>1</sub>	b <sub>2</sub>	h		
BRF 16 -00	-502	16	22,0	M 16	19,0	42	27	21	15,0	64		
measurements [mm]		weight		calculation-factors		rotational speed limit		basic load rating		stat.		
type	l	l <sub>1</sub>	l <sub>2</sub>	SW	α [°]	β [°]	Y	v <sub>0</sub>	C	C <sub>0</sub>	C <sub>10</sub>	
BRF 16	28	8,0	22	22	8,0	0,224	2,24	2,35	975	6250	2350	

## CARATTERISTICHE DEL PRODOTTO

Marchio	DURBAL
N° Ean13	3663952507248
Diametro interno	16 mm
Diametro esterno	42 mm
Spessore	21 mm
Tipo	SI
Peso	224 g
Il filo	Filetto sinistro
Lubrificazione	con
Imballaggio	1

[contatto@123cuscinetti.it](mailto:contatto@123cuscinetti.it)

+33 3 59 36 04 90

CRT4 de Lesquin 60 Rue Du Haut De Sainghin 59273 Fretin FRANCE