

Teste a snodo SI BRTF16-03-501-DURBAL - BRTF16-03-501-DURBAL

<https://www.123cuscinetti.it/cuscinetti-supporti/teste-snodo/si/brtf16-03-501-durbal>

BRTF16-03-501



rod end housing:
forged steel, case-hardened bearing race, superfinished, surface galvanized, free of Cr VI

inner ring:
ball bearing steel, hardened, superfinished

lubrication:
aluminium complex soap-grease, temperature range -45 °C to +120 °C, approval according to USDA H1

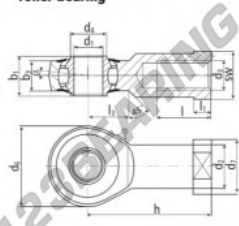

lubrication fitting:
DIN 71 412 H1

bearing clearance:
10 - 30 µm radial

tolerances:
see page 10

DURBAL® heavy-duty rod ends with integral self-aligning roller bearing

female thread:
long-term lubrication, low maintenance, shields, adapter sizes according to DIN ISO 12240-4, series K

order number			measurements [mm]									
type	right hand thread	left hand thread	d ₁	d ₂	d ₃	d ₄	d ₅	d ₆	d ₇	h ₁	h ₂	
BRTF 16 -03	-501		16	22,0	M 16	19,0	42	27	21	15		

type	measurements [mm]					weight [kg]	rotational speed limit n _{max} [min ⁻¹]	basic load rating		
	h	l	l ₁	l ₃	SW			dyn. C [N]	stat. C ₀ [N]	
BRTF 16	64	28	8,0	22	22	7,0	0,220	975	13300	8900

CARATTERISTICHE DEL PRODOTTO

Marchio	DURBAL
N° Ean13	3663952506852
Diametro interno	16 mm
Diametro esterno	42 mm
Spessore	21 mm
Tipo	SI
Peso	220 g
Il filo	Filetto destro
Lubrificazione	con
Imballaggio	1

contatto@123cuscinetti.it

+33 3 59 36 04 90

CRT4 de Lesquin 60 Rue Du Haut De Sainghin 59273 Fretin FRANCE