

Teste a snodo SA

SA40-ES-2RS-DURBAL - SA40-ES-2RS-DURBAL

<https://www.123cuscinetti.it/cuscinetti-supporti/teste-snodo/sa/sa40-es-2rs-durbal>

SA40-ES-2RS



male thread: lubrication is necessary, according to DIN ISO 12240-4, series E

Description: DIN ISO rod end E series. Made of spherical plain bearing DGE...E (ES) pressed into rod end body. Sliding combination steel / steel. Maintenance necessary. Bore diameter $d \geq 15$ with grease nipple in rod end body and lubrication groove and hole in inner and outer ring. Bore diameter $d \geq 15$ type DSA...ES-2RS with additional seals also available.

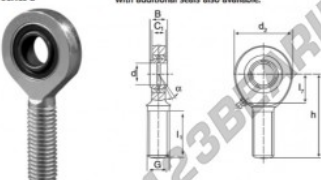
Bad end body: surface zinc plated

Sliding combination: steel / steel

Inner ring: bearing steel, hardened, ground and phosphated

Outer ring: bearing steel, hardened, ground and phosphated

Lubrication: lubrication is necessary



order number		measurement [mm]				
right hand thread	left hand thread	d	G	B	C ₁	d ₂
SA 40 ES (-2RS)		40	M 39 x 3	28	23,0	92

type	measurement [mm]			n [°]	load rating C ₀ [kN]	weight [kg]
	l ₁ min	l ₂	h			
SA / SAL 40 ES (-2RS)	86	46	150	7	180,0	1,800

CARATTERISTICHE DEL PRODOTTO

Marchio	DURBAL
N° Ean13	3663952498508
Diametro interno	40 mm
Diametro esterno	92 mm
Spessore	28 mm
Tipo	SA
Peso	1800 g
Il filo	Filetto destro
Lubrificazione	con
Imballaggio	1

contatto@123cuscinetti.it

+33 3 59 36 04 90

CRT4 de Lesquin 60 Rue Du Haut De Sainghin 59273 Fretin FRANCE