

Teste a snodo SI

SIL70-ES-2RS-DURBAL - SIL70-ES-2RS-DURBAL

<https://www.123cuscinetti.it/cuscinetti-supporti/teste-snodo/si/sil70-es-2rs-durbal>

SIL70-ES-2RS



female thread;
lubrication
required,
according to
DIN ISO 12240-4;
serie E

Description: DIN ISO rod end E series. Made of spherical plain bearing DGE...E (ES) pressed into rod end body. Sliding combination steel / steel. Maintenance necessary. Bore diameter $d \geq 15$ with grease nipple in rod end body and lubrication groove and hole in inner and outer ring. Bore diameter $d \geq 15$ type DSI...ES-2RS with additional seals also available.

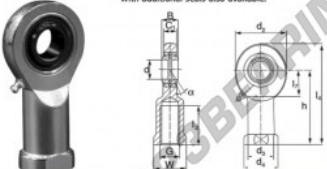
Sliding combination:
steel / steel

Inner ring:
bearing steel, hardened, ground and phosphated

Outer ring:
bearing steel, hardened, ground and phosphated

Lubrication:
lubrication required

Rod end body:
surface zinc plated



order number		measurement (mm)						
right hand thread	left hand thread	d	G	B	C1	d2	d3	d4
SIL 70 ES (-2RS)		70	M 56 x 3	49	42,0	160	80,0	98

type	measurement [mm]			α [°]	load rating C_0 [kN]	weight [kg]
	l_1 min	W	h			
SI / SIL 70 ES (-2RS)	80	85	200	6	610,0	8,6

CARATTERISTICHE DEL PRODOTTO

Marchio	DURBAL
N° Ean13	3663952497709
Diametro interno	70 mm
Diametro esterno	160 mm
Spessore	49 mm
Tipo	SI
Peso	8600 g
Il filo	Filetto sinistro
Lubrificazione	con
Imballaggio	1

contatto@123cuscinetti.it

+33 3 59 36 04 90

CRT4 de Lesquin 60 Rue Du Haut De Sainghin 59273 Fretin FRANCE