

Teste a snodo SI SI60-ES-2RS-DURBAL - SI60-ES-2RS-DURBAL

<https://www.123cuscinetti.it/cuscinetti-supporti/teste-snodo/si/si60-es-2rs-durbal>

SI60-ES-2RS



female thread;
lubrication
required,
according to
DIN ISO 12240-4;
serie E

Description: DIN ISO rod end E series. Made of spherical plain bearing DGE...E (ES) pressed into rod end body. Sliding combination steel / steel. Maintenance necessary. Bore diameter $d \geq 15$ with grease nipple in rod end body and lubrication groove and hole in inner and outer ring. Bore diameter $d \geq 15$ type DSI...ES-2RS with additional seals also available.

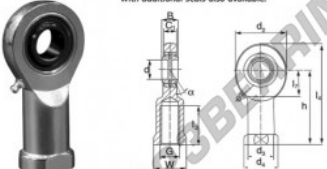
Rod end body:
surface zinc plated

Sliding combination:
steel / steel

Inner ring:
bearing steel, hardened, ground and phosphated

Outer ring:
bearing steel, hardened, ground and phosphated

Lubrication:
lubrication required



order number		measurement (mm)						
right hand thread	left hand thread	d	G	B	C1	d2	d3	d4
SI 60 ES (-2RS)		60	M 52 x 3	44	38,0	135	70,0	88

type	measurement [mm]			α [°]	load rating C_0 [kN]	weight [kg]
	l_1 min	W	h			
SI / SII 60 ES (-2RS)	70	75	175	6	450,0	5,5

CARATTERISTICHE DEL PRODOTTO

Marchio	DURBAL
N° Ean13	3663952497679
Diametro interno	60 mm
Diametro esterno	135 mm
Spessore	44 mm
Tipo	-
Peso	5500 g
Il filo	-
Lubrificazione	-
Imballaggio	-
Standard	-

contatto@123cuscinetti.it

+33 3 59 36 04 90

CRT4 de Lesquin 60 Rue Du Haut De Sainghin 59273 Fretin FRANCE