

## Teste a snodo SI

### SIL40-ES-2RS-DURBAL - SIL40-ES-2RS-DURBAL

<https://www.123cuscinetti.it/cuscinetti-supporti/teste-snodo/si/sil40-es-2rs-durbal>

#### SIL40-ES-2RS



**female thread;**  
**lubrication**  
**required,**  
**according to**  
**DIN ISO 12240-4;**  
**series E**

**Description:** DIN ISO rod end E series. Made of spherical plain bearing DGE...E (ES) pressed into rod end body. Sliding combination steel / steel. Maintenance necessary. Bore diameter  $d \geq 15$  with grease nipple in rod end body and lubrication groove and hole in inner and outer ring. Bore diameter  $d \geq 15$  type DSI...ES-2RS with additional seals also available.

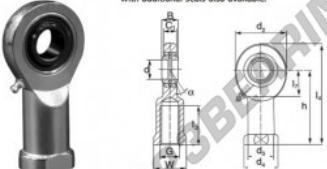
**Sliding combination:**  
steel / steel

**Inner ring:**  
bearing steel, hardened, ground and phosphated

**Outer ring:**  
bearing steel, hardened, ground and phosphated

**Lubrication:**  
lubrication required

**Rod end body:**  
surface zinc plated



order number		measurement [mm]	
right hand thread	left hand thread	d	G
SIL 40 ES (-2RS)		40	M 39 x 3

type	measurement [mm]			$\alpha$ [°]	load rating $C_0$ [kN]	weight [kg]
	$l_1$ min	W	h			
SI / SIL 40 ES (-2RS)	65	55	142	7	180,0	2,0

## CARATTERISTICHE DEL PRODOTTO

Marchio	DURBAL
N° Ean13	3663952497433
Diametro interno	40 mm
Diametro esterno	92 mm
Spessore	28 mm
Tipo	SI
Peso	2000 g
Il filo	Filetto sinistro
Lubrificazione	con
Imballaggio	1

[contatto@123cuscinetti.it](mailto:contatto@123cuscinetti.it)

+33 3 59 36 04 90

CRT4 de Lesquin 60 Rue Du Haut De Sainghin 59273 Fretin FRANCE