

## Teste a snodo SI SI20-ES-DURBAL - SI20-ES-DURBAL

<https://www.123cuscinetti.it/cuscinetti-supporti/teste-snodo/si/si20-es-durbal>

### SI20-ES



**female thread;**  
lubrication  
required,  
according to  
DIN ISO 12240-4;  
series E

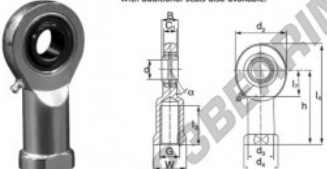
**Description:** DIN ISO rod end E series. Made of spherical plain bearing DGL...E (ES) pressed into rod end body. Sliding combination steel / steel. Maintenance necessary. Bore diameter  $d \geq 15$  with grease nipple in rod end body and lubrication groove and hole in inner and outer ring. Bore diameter  $d \geq 15$  type DSI...ES-2RS with additional seals also available.

**Sliding combination:**  
steel / steel

**Inner ring:**  
bearing steel, hardened, ground and phosphated

**Outer ring:**  
bearing steel, hardened, ground and phosphated

**Lubrication:**  
lubrication required



order number		measurement [mm]									
right hand thread	left hand thread	d	G	B	C1	d2	d3	d4	h	W	l1 min
SI 20 ES		20	M 20 x 1.5	16	13,0	53	27,5	35			

type	measurement [mm]			$\alpha$ [°]	load rating $C_0$ [kN]	weight [kg]
	$l_1$ min	W	h			
SI / SIL 20 ES	40	32	77	9	60,0	0,35

## CARATTERISTICHE DEL PRODOTTO

Marchio	DURBAL
N° Ean13	3663952497112
Diametro interno	20 mm
Diametro interno	0.787" inch
Diametro esterno	53 mm
Diametro esterno	2.087" inch
Spessore	16 mm
Spessore	0.63" inch
Tipo	SI
Peso	350 g
Il filo	Filetto destro
Lubrificazione	con
Imballaggio	1

[contatto@123cuscinetti.it](mailto:contatto@123cuscinetti.it)

+33 3 59 36 04 90

CRT4 de Lesquin 60 Rue Du Haut De Sainghin 59273 Fretin FRANCE