

Teste a snodo SA SAZPL19-S-DURBAL - SAZPL19-S-DURBAL

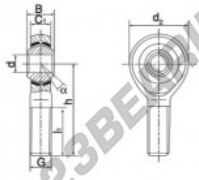
<https://www.123cuscinetti.it/cuscinetti-supporti/teste-snodo/sa/sazpl19-s-durbal>

SAZPL19-S



male thread:
lubrication
required,
similar to
DIN ISO 12240-4:
series R,
measurement in
inches

Description: DIN ISO rod end K series. Dimensions in
inch. Sliding combination steel / heavy duty bronze.
With grease nipple.



123BEARING

Rod end body:
surface zinc plated

Sliding combination:
steel / heavy duty bronze

Inner ring:
bearing steel, hardened, ground and
spherical surface chromium plated

Outer ring:
heavy duty bronze with lubrication

Lubrication:
lubrication required, with grease nipple

order number		measurement [mm]	
right hand thread	left hand thread	d	G
SAZPL 19 S		19,05	3/4 - 16
			B
			22,23
			C1
			17,45
			d2
			44,45

type	inches	measurement [mm]		α	load rating	weight
		h [mm]	h [mm]	[°]	C ₀ [kN]	[kg]
SAZP / SAZPL 19 S	3 / 4 "	44,45	73,03	10	29,0	0,290

CARATTERISTICHE DEL PRODOTTO

Marchio	DURBAL
N° Ean13	3663952496269
Diametro interno	19.05 mm
Diametro esterno	44.45 mm
Spessore	22.23 mm
Tipo	SA
Peso	290 g
Il filo	Filetto sinistro
Lubrificazione	senza
Imballaggio	1

contatto@123cuscinetti.it

+33 3 59 36 04 90

CRT4 de Lesquin 60 Rue Du Haut De Sainghin 59273 Fretin FRANCE