

Teste a snodo SA SAZP15-S-DURBAL - SAZP15-S-DURBAL

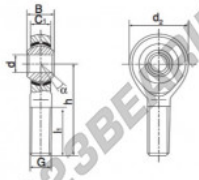
<https://www.123cuscinetti.it/cuscinetti-supporti/teste-snodo/sa/sazp15-s-durbal>

SAZP15-S



male thread:
lubrication
required,
similar to
DIN ISO 12240-4;
series R,
measurement in
inches

Description: DIN ISO rod end K series. Dimensions in
inch. Sliding combination steel / heavy duty bronze.
With grease nipple.



rod end body:
surface zinc plated

Sliding combination:
steel / heavy duty bronze

inner ring:
bearing steel, hardened, ground and
spherical surface chromium plated

Outer ring:
heavy duty bronze with lubrication

Lubrication:
lubrication required, with grease nipple

order number		measurement [mm]	
right hand thread	left hand thread	B	C ₁
SAZP 15 S		19,05	14,27

type	inches	measurement [mm]		α [°]	load rating C ₀ [kN]	weight [g]
		h ₁ min	h			
SAZP / SAZPL 15 S	5 / 8"	41,28	66,68	11	21,0	0,180

CARATTERISTICHE DEL PRODOTTO

Marchio	DURBAL
N° Ean13	3663952496221
Diametro interno	15.88 mm
Diametro esterno	38.1 mm
Spessore	19.05 mm
Tipo	SA
Peso	180 g
Il filo	Filetto destro
Lubrificazione	senza
Imballaggio	1

contatto@123cuscinetti.it

+33 3 59 36 04 90

CRT4 de Lesquin 60 Rue Du Haut De Sainghin 59273 Fretin FRANCE