

Teste a snodo SA SAZP6-S-DURBAL - SAZP6-S-DURBAL

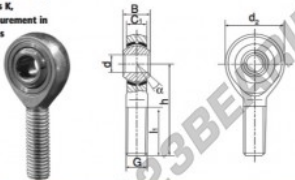
<https://www.123cuscinetti.it/cuscinetti-supporti/teste-snodo/sa/sazp6-s-durbal>

SAZP6-S



male thread:
lubrication
required,
similar to
DIN ISO 12240-4;
series R,
measurement in
inches

Description: DIN ISO rod end K series. Dimensions in inch. Sliding combination steel / heavy duty bronze. With grease nipple.



Rod end body:
surface zinc plated

Sliding combination:
steel / heavy duty bronze

Inner ring:
bearing steel, hardened, ground and
spherical surface chromium plated

Outer ring:
heavy duty bronze with lubrication

Lubrication:
lubrication required, with grease nipple

order number	measurement [mm]		measurement [mm]				
	right hand thread	left hand thread	d	G	B	C ₁	d ₂
SAZP 6 S			6,35	1/4 - 28	9,53	7,14	19,05

type	inches	measurement [mm]		α [°]	load rating C ₀ [kN]	weight [g]
		l ₁ min	h			
SAZP / SAZPL 6 S	1 / 4 "	25,40	39,67	13	6,6	0,022

CARATTERISTICHE DEL PRODOTTO

Marchio	DURBAL
N° Ean13	3663952496030
Diametro interno	6.35 mm
Diametro interno	1/4" inch
Diametro esterno	19.05 mm
Diametro esterno	3/4" inch
Spessore	9.53 mm
Spessore	3/8" inch
Tipo	SA
Peso	22 g
Il filo	Filetto destro
Lubrificazione	senza
Imballaggio	1

contatto@123cuscinetti.it

+33 3 59 36 04 90

CRT4 de Lesquin 60 Rue Du Haut De Sainghin 59273 Fretin FRANCE