

Teste a snodo SA SAZPL6-S-DURBAL - SAZPL6-S-DURBAL

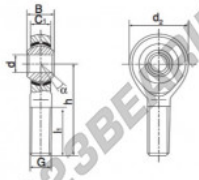
<https://www.123cuscinetti.it/cuscinetti-supporti/teste-snodo/sa/sazpl6-s-durbal>

SAZPL6-S



male thread:
lubrication
required,
similar to
DIN ISO 12240-4;
series R,
measurement in
inches

Description: DIN ISO rod end K series. Dimensions in inch. Sliding combination steel / heavy duty bronze. With grease nipple.



rod end body:
surface zinc plated

Sliding combination:
steel / heavy duty bronze

inner ring:
bearing steel, hardened, ground and
spherical surface chromium plated

Outer ring:
heavy duty bronze with lubrication

Lubrication:
lubrication required, with grease nipple

order number		measurement [mm]	
right hand thread	left hand thread	d	G
SAZPL 6 S		6,35	1/4 - 28
			B
			C1
			d2

type	inches	measurement [mm]		load rating	weight
		h [min]	h	C0 [kN]	[g]
SAZP / SAZPL 6 S	1 / 4 "	25,40	39,67	13	6,6
					0,022

CARATTERISTICHE DEL PRODOTTO

Marchio	DURBAL
N° Ean13	3663952496023
Diametro interno	6.35 mm
Diametro esterno	19.05 mm
Spessore	9.53 mm
Tipo	SA
Peso	22 g
Il filo	Filetto sinistro
Lubrificazione	senza
Imballaggio	1

contatto@123cuscinetti.it

+33 3 59 36 04 90

CRT4 de Lesquin 60 Rue Du Haut De Sainghin 59273 Fretin FRANCE