

Teste a snodo SA SAZPL4-S-DURBAL - SAZPL4-S-DURBAL

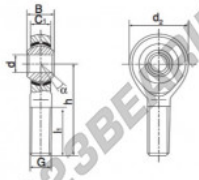
<https://www.123cuscinetti.it/cuscinetti-supporti/teste-snodo/sa/sazpl4-s-durbal>

SAZPL4-S



male thread:
lubrication
required,
similar to
DIN ISO 12240-4:
series R,
measurement in
inches

Description: DIN ISO rod end K series. Dimensions in
inch. Sliding combination steel / heavy duty bronze.
With grease nipple.



rod end body:
surface zinc plated

Sliding combination:
steel / heavy duty bronze

inner ring:
bearing steel, hardened, ground and
spherical surface chromium plated

Outer ring:
heavy duty bronze with lubrication

Lubrication:
lubrication required, with grease nipple

| order number | | measurement [mm] | |
|-------------------|------------------|------------------|---------|
| right hand thread | left hand thread | d | G |
| SAZPL 4 S | | 4,83 | 10 - 32 |

| type | inches | measurement [mm] | | load rating C ₀ [kN] | weight [g] |
|------------------|--------|--------------------|-------|---------------------------------------|---------------|
| | | h ₁ min | h | | |
| SAZP / SAZPL 4 S | | 19,05 | 31,75 | 10 | 3,8 |

CARATTERISTICHE DEL PRODOTTO

| | |
|------------------|------------------|
| Marchio | DURBAL |
| N° Ean13 | 3663952495996 |
| Diametro interno | 4.83 mm |
| Diametro esterno | 15.88 mm |
| Spessore | 7.92 mm |
| Tipo | SA |
| Peso | 13 g |
| Il filo | Filetto sinistro |
| Lubrificazione | senza |
| Imballaggio | 1 |

contatto@123cuscinetti.it

+33 3 59 36 04 90

CRT4 de Lesquin 60 Rue Du Haut De Sainghin 59273 Fretin FRANCE