

Teste a snodo SI PHSL30M27X2-DURBAL - PHSL30M27X2-DURBAL

<https://www.123cuscinetti.it/cuscinetti-supporti/teste-snodo/si/phsl30m27x2-durbal>

PHSL30M27X2



Description: DIN ISO rod end K series. Sliding combination steel / heavy duty bronze.

female thread: lubrication required, according to DIN ISO 12240-4, series K

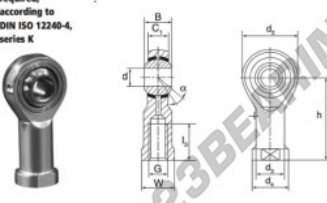
Rod end body: surface chromium plated

Sliding combination: steel / heavy duty bronze

Inner ring: bearing steel, hardened, ground and spherical surface chromium plated

Outer ring: heavy duty bronze with lubrication

Lubrication: lubrication required



order number	right hand thread	left hand thread	d	G	B	C1	d2	d3	d4
PHSL 30 M 27 x 2			30	M 27 x 2	37	25,00	70	40,0	50

type	measurement [mm]				load rating C ₀ [kN]	weight [kg]
	l ₂ min	W	h	α [°]		
PHS / PHSL 30 M 27 x 2	51	41	110	17	88,0	1,100

CARATTERISTICHE DEL PRODOTTO

Marchio	DURBAL
N° Ean13	3663952495576
Diametro interno	30 mm
Diametro esterno	70 mm
Spessore	37 mm
Tipo	SI
Peso	1100 g
Il filo	Filetto sinistro
Lubrificazione	senza
Imballaggio	1

contatto@123cuscinetti.it

+33 3 59 36 04 90

CRT4 de Lesquin 60 Rue Du Haut De Sainghin 59273 Fretin FRANCE