

## Teste a snodo SI PHSL22-DURBAL - PHSL22-DURBAL

<https://www.123cuscinetti.it/cuscinetti-supporti/teste-snodo/si/phsl22-durbal>

### PHSL22



**Description:** DIN ISO rod end K series. Sliding combination steel / heavy duty bronze.

**female thread:** lubrication required, according to DIN ISO 12240-4, series K

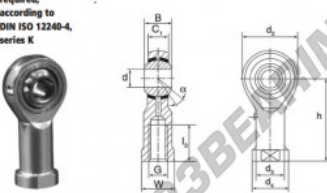
**Rod end body:** surface chromium plated

**Sliding combination:** steel / heavy duty bronze

**Inner ring:** bearing steel, hardened, ground and spherical surface chromium plated

**Outer ring:** heavy duty bronze with lubrication

**Lubrication:** lubrication required



order number	right hand thread	left hand thread	d	G	B	C1	d1	d2	d3	d4
PHSL 22			22	M 22 x 1,5	28	20,00	54	30,0		38

type	measurement [mm]				load rating C <sub>0</sub> [kN]	weight [kg]
	l <sub>2</sub> min	W	h	α [°]		
PHS / PHSL 22	37	32	84	15	57,0	0,540

## CARATTERISTICHE DEL PRODOTTO

Marchio	DURBAL
N° Ean13	3663952495415
Diametro interno	22 mm
Diametro esterno	54 mm
Spessore	28 mm
Tipo	SI
Peso	540 g
Il filo	Filetto sinistro
Lubrificazione	senza
Imballaggio	1

[contatto@123cuscinetti.it](mailto:contatto@123cuscinetti.it)

+33 3 59 36 04 90

CRT4 de Lesquin 60 Rue Du Haut De Sainghin 59273 Fretin FRANCE