

Teste a snodo SI PHSL20-DURBAL - PHSL20-DURBAL

<https://www.123cuscinetti.it/cuscinetti-supporti/teste-snodo/si/phsl20-durbal>

PHSL20



Description: DIN ISO rod end K series. Sliding combination steel / heavy duty bronze.

female thread: lubrication required, according to DIN ISO 12240-4, series K

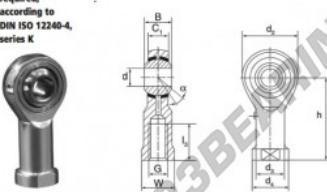
Rod end body: surface chromium plated

Sliding combination: steel / heavy duty bronze

Inner ring: bearing steel, hardened, ground and spherical surface chromium plated

Outer ring: heavy duty bronze with lubrication

Lubrication: lubrication required



order number	right hand thread	left hand thread	d	G	B	C1	d2	d3	d4
PHSL 20			20	M 20 x 1,5	25	18,00	50	27,5	34

type	measurement [mm]				load rating C ₀ [kN]	weight [kg]
	l ₂ min	W	h	α [°]		
PHS / PHSL 20	33	30	77	14	42,5	0,420

CARATTERISTICHE DEL PRODOTTO

Marchio	DURBAL
N° Ean13	3663952495385
Diametro interno	20 mm
Diametro esterno	50 mm
Spessore	25 mm
Tipo	SI
Peso	420 g
Il filo	Filetto sinistro
Lubrificazione	senza
Imballaggio	1

contatto@123cuscinetti.it

+33 3 59 36 04 90

CRT4 de Lesquin 60 Rue Du Haut De Sainghin 59273 Fretin FRANCE