

Teste a snodo SI PHSL16-DURBAL - PHSL16-DURBAL

<https://www.123cuscinetti.it/cuscinetti-supporti/teste-snodo/si/phsl16-durbal>

PHSL16



Description: DIN ISO rod end K series. Sliding combination steel / heavy duty bronze.

female thread: lubrication required, according to DIN ISO 12240-4, series K

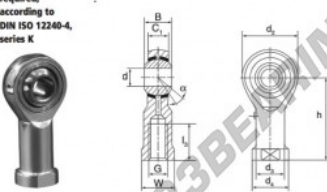
Rod end body: surface chromium plated

Sliding combination: steel / heavy duty bronze

Inner ring: bearing steel, hardened, ground and spherical surface chromium plated

Outer ring: heavy duty bronze with lubrication

Lubrication: lubrication required



order number	right hand thread	left hand thread	d	G	B	C1	d2	d3	d4
PHSL 16			16	M 16	21	15,00	40	22,0	27

type	measurement [mm]				load rating C ₀ [kN]	weight [kg]
	l ₂ min	W	h	α [°]		
PHS / PHSL 16	28	22	64	15	28,5	0,220

CARATTERISTICHE DEL PRODOTTO

Marchio	DURBAL
N° Ean13	3663952495255
Diametro interno	16 mm
Diametro esterno	40 mm
Spessore	21 mm
Tipo	SI
Peso	220 g
Il filo	Filetto sinistro
Lubrificazione	senza
Imballaggio	1

contatto@123cuscinetti.it

+33 3 59 36 04 90

CRT4 de Lesquin 60 Rue Du Haut De Sainghin 59273 Fretin FRANCE