

## Teste a snodo SI PHS6-DURBAL - PHS6-DURBAL

<https://www.123cuscinetti.it/cuscinetti-supporti/teste-snodo/si/phs6-durbal>

PHS6



**Description:** DIN ISO rod end K series. Sliding combination steel / heavy duty bronze.

**female thread:** lubrication required, according to DIN ISO 12240-4, series K

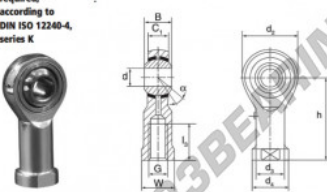
**Rod end body:** surface chromium plated

**Sliding combination:** steel / heavy duty bronze

**Inner ring:** bearing steel, hardened, ground and spherical surface chromium plated

**Outer ring:** heavy duty bronze with lubrication

**Lubrication:** lubrication required



order number	right hand thread	left hand thread	d	G	B	C1	d <sub>1</sub>	d <sub>2</sub>	d <sub>3</sub>	d <sub>4</sub>
PHS 6			6	M 6	9	6,75	10	10,0	13	

type	measurement [mm]				load rating C <sub>0</sub> [kN]	weight [kg]
	l <sub>2</sub> min	W	h	α [°]		
PHS / PHSL 6	12	11	30	13	7,2	0,022

### CARATTERISTICHE DEL PRODOTTO

Marchio	DURBAL
N° Ean13	3663952494944
Diametro interno	6 mm
Diametro esterno	18 mm
Spessore	9 mm
Tipo	SI
Peso	22 g
Il filo	Filetto destro
Lubrificazione	senza
Imballaggio	1

[contatto@123cuscinetti.it](mailto:contatto@123cuscinetti.it)

+33 3 59 36 04 90

CRT4 de Lesquin 60 Rue Du Haut De Sainghin 59273 Fretin FRANCE