

Teste a snodo SI PHSL6-DURBAL - DPHSL6-DURBAL

<https://www.123cuscinetti.it/cuscinetti-supporti/teste-snodo/si/dphsl6-durbal>

PHSL6



Description: DIN ISO rod end K series. Sliding combination steel / heavy duty bronze.

female thread: lubrication required, according to DIN ISO 12240-4, series K

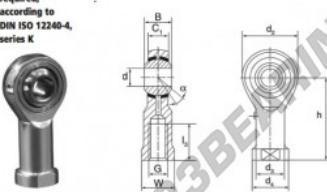
Rod end body: surface chromium plated

Sliding combination: steel / heavy duty bronze

Inner ring: bearing steel, hardened, ground and spherical surface chromium plated

Outer ring: heavy duty bronze with lubrication

Lubrication: lubrication required



order number	right hand thread	left hand thread	d	G	B	C1	d ₁	d ₂	d ₃	d ₄	d ₅	d ₆
PHSL 6			6	M 6	9	6,75	10	10,0	13			

type	measurement [mm]				load rating C ₀ [kN]	weight [kg]
	l ₂ min	W	h	α [°]		
PHS / PHSL 6	12	11	30	13	7,2	0,022

CARATTERISTICHE DEL PRODOTTO

Marchio	DURBAL
N° Ean13	3663952494937
Diametro interno	6 mm
Diametro esterno	18 mm
Spessore	9 mm
Tipo	SI
Peso	22 g
Il filo	Filetto sinistro
Lubrificazione	senza
Imballaggio	1

contatto@123cuscinetti.it

+33 3 59 36 04 90

CRT4 de Lesquin 60 Rue Du Haut De Sainghin 59273 Fretin FRANCE