

## Teste a snodo SI GIL40-UK-2RS-DURBAL - GIL40-UK-2RS-DURBAL

<https://www.123cuscinetti.it/cuscinetti-supporti/teste-snodo/si/gil40-uk-2rs-durbal>

### GIL40-UK-2RS



**female thread:** maintenance free, according to DIN ISO 12240-4; series E

**Description:** DIN ISO rod end E series. Made of spherical plain bearing DGE...UK (UK-2RS) pressed into rod end body. Sliding combination steel / bronze-PTFE composite. Bore diameter  $d \geq$  size 35 with additional seal on both sides (e.g. DGR... UK-2RS) bore diameter  $d \geq$  size 17 additional seal on both sides upon request.

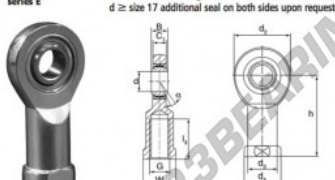
**Rod end body:** surface zinc plated

**Sliding combination:** steel / bronze-PTFE fabric

**Inner ring:** bearing steel, hardened, ground and spherical surface chromium plated

**Outer ring:** steel body pressed around, outer race lined with bronze-PTFE composite

**Lubrication:** no lubrication necessary, maintenance free



order number	d	G	B	C <sub>1</sub>	d <sub>2</sub>	d <sub>4</sub>
GIL 40 UK-2RS	40	M 39 x 3	28	23,0	92	65

type	measurement [mm]			$\alpha$ [°]	load rating C <sub>0</sub> [kN]	weight [kg]
	l <sub>3</sub> min	h	W			
GIR / GIL 40 UK-2RS	65	142	55	7	180,0	2,000

## CARATTERISTICHE DEL PRODOTTO

Marchio	DURBAL
N° Ean13	3663952494128
Diametro interno	40 mm
Diametro esterno	92 mm
Spessore	28 mm
Tipo	SI
Peso	2000 g
Il filo	Filetto sinistro
Lubrificazione	senza
Imballaggio	1
Standard	Nessuno standard

[contatto@123cuscinetti.it](mailto:contatto@123cuscinetti.it)

+33 3 59 36 04 90

CRT4 de Lesquin 60 Rue Du Haut De Sainghin 59273 Fretin FRANCE