

Teste a snodo SI GIL25-UK-2RS-DURBAL - GIL25-UK-2RS-DURBAL

<https://www.123cuscinetti.it/cuscinetti-supporti/teste-snodo/si/gil25-uk-2rs-durbal>

GIL25-UK-2RS



female thread: maintenance free, according to DIN ISO 12240-4; series E

Description: DIN ISO rod end E series. Made of spherical plain bearing DGE...UK (UK-2RS) pressed into rod end body. Sliding combination steel / bronze-PTFE composite. Bore diameter $d \geq$ size 35 with additional seal on both sides (e.g. DGIR... UK-2RS) bore diameter $d \geq$ size 17 additional seal on both sides upon request.

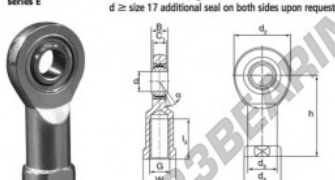
Rod end body: surface zinc plated

Sliding combination: steel / bronze-PTFE fabric

Inner ring: bearing steel, hardened, ground and spherical surface chromium plated

Outer ring: steel body pressed around, outer race lined with bronze-PTFE composite

Lubrication: no lubrication necessary, maintenance free



order number	d	G	B	measurement [mm]	C ₁	C ₂	d ₂	d ₄
GIL 25 UK (-2RS)	25	M 24 x 2	20	17,0	64	33,5	42	

type	measurement [mm]			α [°]	load rating C ₀ [kN]	weight [kg]
	l ₃ min	h	W			
GIR / GIL 25 UK	48	94	36	7	83,0	0,640

CARATTERISTICHE DEL PRODOTTO

Marchio	DURBAL
N° Ean13	3663952493930
Diametro interno	25 mm
Diametro esterno	64 mm
Spessore	20 mm
Tipo	SI
Peso	640 g
Il filo	Filetto sinistro
Lubrificazione	senza
Imballaggio	1

contatto@123cuscinetti.it

+33 3 59 36 04 90

CRT4 de Lesquin 60 Rue Du Haut De Sainghin 59273 Fretin FRANCE