

Teste a snodo SI GIL8-UK-DURBAL - GIL8-UK-DURBAL

<https://www.123cuscinetti.it/cuscinetti-supporti/teste-snodo/si/gil8-uk-durbal>

GIL8-UK



female thread: maintenance free, according to DIN ISO 12240-4; series E

Description: DIN ISO rod end E series. Made of spherical plain bearing DGE...UK (UK-2RS) pressed into rod end body. Sliding combination steel / bronze-PTFE composite. Bore diameter $d \geq$ size 35 with additional seal on both sides (e.g. DGR... UK-2RS) bore diameter $d \geq$ size 17 additional seal on both sides upon request.

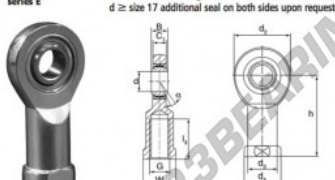
Rod end body: surface zinc plated

Sliding combination: steel / bronze-PTFE fabric

Inner ring: bearing steel, hardened, ground and spherical surface chromium plated

Outer ring: steel body pressed around, outer race lined with bronze-PTFE composite

Lubrication: no lubrication necessary, maintenance free



order number	measurement [mm]						
GIL 8 UK	d	G	B	C ₁	d ₂	d ₄	
	8	M 8	8	6,0	24	12,5	16

type	measurement [mm]			α P1	load rating C ₀ [kN]	weight [kg]
	t ₃ min	h	W			
GIR / GIL 8 UK	15	36	14	15	12,9	0,039

CARATTERISTICHE DEL PRODOTTO

Marchio	DURBAL
N° Ean13	3663952493619
Diametro interno	8 mm
Diametro esterno	24 mm
Spessore	8 mm
Tipo	SI
Peso	39 g
Il filo	Filetto sinistro
Lubrificazione	senza
Imballaggio	1

contatto@123cuscinetti.it

+33 3 59 36 04 90

CRT4 de Lesquin 60 Rue Du Haut De Sainghin 59273 Fretin FRANCE