

Teste a snodo SA SA22-BK-DURBAL - SA22-BK-DURBAL

<https://www.123cuscinetti.it/cuscinetti-supporti/teste-snodo/sa/sa22-bk-durbal>

SA22-BK



male thread: maintenance free, according to DIN ISO 12240-4, series K

Description: DIN ISO rod end K series. Sliding combination steel / bronze-PTFE composite.

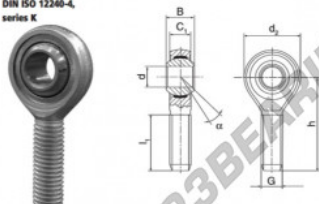
Rod end body: surface zinc plated

Sliding combination: steel / bronze-PTFE composite

Inner ring: bearing steel hardened and ground

Outer ring: rod end body pressed around, outer race lined with bronze-PTFE composite

Lubrication: maintenance free



order number	measurement [mm]	
	right hand thread	left hand thread
SA 22 BK	22	M 22 x 1,5

type	measurement [mm]		alpha [°]	load rating C ₀ [kN]	weight [kg]
	l ₂ min	h			
SA / SAL 22 BK	50	84	15	68,00	0,480

CARATTERISTICHE DEL PRODOTTO

Marchio	DURBAL
N° Ean13	3663952492704
Diametro interno	22 mm
Diametro esterno	55 mm
Spessore	28 mm
Tipo	SA
Peso	480 g
Il filo	Filetto destro
Lubrificazione	senza
Imballaggio	1

contatto@123cuscinetti.it

+33 3 59 36 04 90

CRT4 de Lesquin 60 Rue Du Haut De Sainghin 59273 Fretin FRANCE