

## Teste a snodo SA SA12-BK-DURBAL - SA12-BK-DURBAL

<https://www.123cuscinetti.it/cuscinetti-supporti/teste-snodo/sa/sa12-bk-durbal>

### SA12-BK



**male thread:** maintenance free, according to DIN ISO 12240-4, series K

**Description:** DIN ISO rod end K series. Sliding combination steel / bronze-PTFE composite.

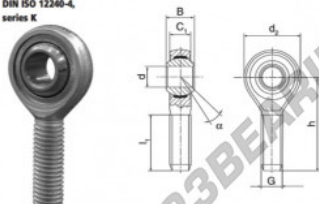
**Rod end body:** surface zinc plated

**Sliding combination:** steel / bronze-PTFE composite

**Inner ring:** bearing steel hardened and ground

**Outer ring:** rod end body pressed around, outer race lined with bronze-PTFE composite

**Lubrication:** maintenance free



order number	measurement [mm]	
	right hand thread	left hand thread
SA 12 BK	12	M 12

type	measurement [mm]		alpha [°]	load rating C <sub>0</sub> [kN]	weight [g]
	l <sub>1</sub> min	h			
SA / SA 12 BK	33	54	13	24,00	0,085

## CARATTERISTICHE DEL PRODOTTO

Marchio	DURBAL
N° Ean13	3663952492490
Diametro interno	12 mm
Diametro esterno	33 mm
Spessore	16 mm
Tipo	SA
Peso	85 g
Il filo	Filetto destro
Lubrificazione	senza
Imballaggio	1

[contatto@123cuscinetti.it](mailto:contatto@123cuscinetti.it)

+33 3 59 36 04 90

CRT4 de Lesquin 60 Rue Du Haut De Sainghin 59273 Fretin FRANCE