

## Teste a snodo SI SSIL16-T-K-DURBAL - SSIL16-T-K-DURBAL

<https://www.123cuscinetti.it/cuscinetti-supporti/teste-snodo/si/ssil16-t-k-durbal>

### SSIL16-T-K



female thread: maintenance free, according to DIN ISO 12240-4, series K, in stainless steel

**Description:** DIN ISO rod end K series. Made of spherical plain bearing DG...PW pressed into rod end body. Sliding combination steel / bronze-PTFE composite.

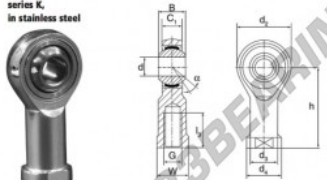
Red end body: stainless steel

Sliding combination: steel / bronze-PTFE composite

Inner ring: stainless steel, hardened and ground

Outer ring: stainless steel body pressed around, outer race lined with bronze-PTFE composite

Lubrication: maintenance free



order number	right hand thread	left hand thread	measurement [mm]						
SSIL 16 T/K	16	M 16	21	15,00	42	22,0	27		

type	l <sub>1</sub> min	W	h	α	load rating C <sub>0</sub> [kN]	weight [g]
SSI / SSIL 16 T/K	28	22	64	15	39,0	0,220

## CARATTERISTICHE DEL PRODOTTO

Marchio	DURBAL
N° Ean13	3663952491417
Diametro interno	16 mm
Diametro esterno	42 mm
Spessore	21 mm
Tipo	SI
Peso	220 g
Il filo	Filetto sinistro
Lubrificazione	senza
Imballaggio	1

[contatto@123cuscinetti.it](mailto:contatto@123cuscinetti.it)

+33 3 59 36 04 90

CRT4 de Lesquin 60 Rue Du Haut De Sainghin 59273 Fretin FRANCE