

Teste a snodo SA SSAL22-T-K-DURBAL - SSAL22-T-K-DURBAL

<https://www.123cuscinetti.it/cuscinetti-supporti/teste-snodo/sa/ssal22-t-k-durbal>

SSAL22-T-K



male thread: maintenance free, according to DIN ISO 12240-4, series K, in stainless steel

Description: DIN ISO rod end K series. Made of spherical plain bearing DG...PW pressed into rod end body. Sliding combination steel / bronze-PTFE composite.

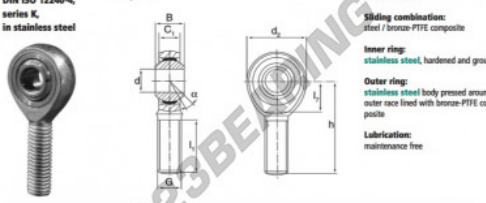
rod end body: stainless steel

Sliding combination: steel / bronze-PTFE composite

inner ring: stainless steel, hardened and ground

Outer ring: stainless steel body pressed around, outer race lined with bronze-PTFE composite

Lubrication: maintenance free



order number	d	G	B	C1	d2
SSAL 22 T/K	22	M 22 x 1,5	28	20,00	54

type	measurement [mm]			alpha [°]	load rating C ₀ [kN]	weight [kg]
	l ₁ min	l ₂ min	h			
SSA / SSAL 22 T/K	48	27	84	15	68,0	0,480

CARATTERISTICHE DEL PRODOTTO

Marchio	DURBAL
N° Ean13	3663952490908
Diametro interno	22 mm
Diametro esterno	54 mm
Spessore	28 mm
Tipo	SA
Peso	480 g
Il filo	Filetto sinistro
Lubrificazione	senza
Imballaggio	1

contatto@123cuscinetti.it

+33 3 59 36 04 90

CRT4 de Lesquin 60 Rue Du Haut De Sainghin 59273 Fretin FRANCE