

Teste a snodo SA SSAL18-T-K-DURBAL - SSAL18-T-K-DURBAL

<https://www.123cuscinetti.it/cuscinetti-supporti/teste-snodo/sa/ssal18-t-k-durbal>

SSAL18-T-K



male thread: maintenance free, according to DIN ISO 12240-4, series K, in stainless steel

Description: DIN ISO rod end K series. Made of spherical plain bearing DG...PW pressed into rod end body. Sliding combination steel / bronze-PTFE composite.

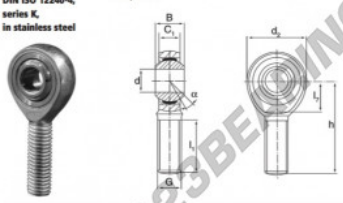
Red end body: stainless steel

Sliding combination: steel / bronze-PTFE composite

Inner ring: stainless steel, hardened and ground

Outer ring: stainless steel body pressed around, outer race lined with bronze-PTFE composite

Lubrication: maintenance free



order number	measurement [mm]
SSAL 18 T/K	18 16,50 44

type	measurement [mm]			load rating C ₀ [kN]	weight [kg]
	i, min	l ₁ min	h		
SSA / SSAL 18 T/K	41	22	72	47,5	0,280

CARATTERISTICHE DEL PRODOTTO

Marchio	DURBAL
N° Ean13	3663952490823
Diametro interno	18 mm
Diametro interno	0.709" inch
Diametro esterno	44 mm
Diametro esterno	1.732" inch
Spessore	23 mm
Spessore	0.906" inch
Tipo	SA
Peso	280 g
Il filo	Filetto sinistro
Lubrificazione	senza
Imballaggio	1

contatto@123cuscinetti.it

+33 3 59 36 04 90

CRT4 de Lesquin 60 Rue Du Haut De Sainghin 59273 Fretin FRANCE