

## Teste a snodo SA SSAL16-T-K-DURBAL - SSAL16-T-K-DURBAL

<https://www.123cuscinetti.it/cuscinetti-supporti/teste-snodo/sa/ssal16-t-k-durbal>

### SSAL16-T-K



**male thread:** maintenance free, according to DIN ISO 12240-4, series K, in stainless steel

**Description:** DIN ISO rod end K series. Made of spherical plain bearing DG...PW pressed into rod end body. Sliding combination steel / bronze-PTFE composite.

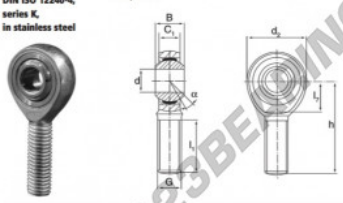
**Red end body:** stainless steel

**Sliding combination:** steel / bronze-PTFE composite

**Inner ring:** stainless steel, hardened and ground

**Outer ring:** stainless steel body pressed around, outer race lined with bronze-PTFE composite

**Lubrication:** maintenance free



order number	d	G	measurement [mm]	B	C1	d2
SSAL 16 T/K	16	M 16		21	15,00	42

type	measurement [mm]			alpha [°]	load rating C0 [kN]	weight [kg]
	l1 min	l2 min	h			
SSA / SSAL 16 T/K	37	21	66	15	39,0	0,210

## CARATTERISTICHE DEL PRODOTTO

Marchio	DURBAL
N° Ean13	3663952490793
Diametro interno	16 mm
Diametro esterno	42 mm
Spessore	21 mm
Tipo	SA
Peso	210 g
Il filo	Filetto sinistro
Lubrificazione	senza
Imballaggio	1

[contatto@123cuscinetti.it](mailto:contatto@123cuscinetti.it)

+33 3 59 36 04 90

CRT4 de Lesquin 60 Rue Du Haut De Sainghin 59273 Fretin FRANCE