

## Teste a snodo SA SSA16-T-K-DURBAL - SSA16-T-K-DURBAL

<https://www.123cuscinetti.it/cuscinetti-supporti/teste-snodo/sa/ssa16-t-k-durbal>

### SSA16-T-K



**male thread:** maintenance free, according to DIN ISO 12240-4, series K, in stainless steel

**Description:** DIN ISO rod end K series. Made of spherical plain bearing DG...PW pressed into rod end body. Sliding combination steel / bronze-PTFE composite.

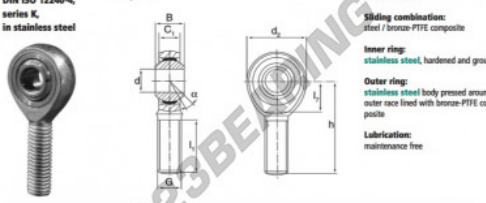
**Red end body:** stainless steel

**Sliding combination:** steel / bronze-PTFE composite

**Inner ring:** stainless steel, hardened and ground

**Outer ring:** stainless steel body pressed around, outer race lined with bronze-PTFE composite

**Lubrication:** maintenance free



| order number | right hand thread | left hand thread | measurement [mm] |    |       |    |  |
|--------------|-------------------|------------------|------------------|----|-------|----|--|
| SSA 16 T/K   | 16                |                  | M 16             | 21 | 15,00 | 42 |  |

| type              | measurement [mm]   |                    |    | alpha [°] | load rating C <sub>0</sub> [kN] | weight [kg] |
|-------------------|--------------------|--------------------|----|-----------|---------------------------------|-------------|
|                   | l <sub>1</sub> min | l <sub>2</sub> min | h  |           |                                 |             |
| SSA / SSAL 16 T/K | 37                 | 21                 | 66 | 15        | 39,0                            | 0,210       |

## CARATTERISTICHE DEL PRODOTTO

|                  |                |
|------------------|----------------|
| Marchio          | DURBAL         |
| N° Ean13         | 3663952490786  |
| Diametro interno | 16 mm          |
| Diametro esterno | 42 mm          |
| Spessore         | 21 mm          |
| Tipo             | SA             |
| Peso             | 210 g          |
| Il filo          | Filetto destro |
| Lubrificazione   | senza          |
| Imballaggio      | 1              |

[contatto@123cuscinetti.it](mailto:contatto@123cuscinetti.it)

+33 3 59 36 04 90

CRT4 de Lesquin 60 Rue Du Haut De Sainghin 59273 Fretin FRANCE