

Teste a snodo SA SSA12-T-K-DURBAL - SSA12-T-K-DURBAL

<https://www.123cuscinetti.it/cuscinetti-supporti/teste-snodo/sa/ssa12-t-k-durbal>

SSA12-T-K



male thread: maintenance free, according to DIN ISO 12240-4, series K, in stainless steel

Description: DIN ISO rod end K series. Made of spherical plain bearing DG...PW pressed into rod end body. Sliding combination steel / bronze-PTFE composite.

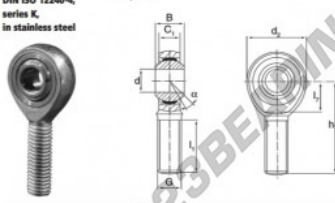
Red end body: stainless steel

Sliding combination: steel / bronze-PTFE composite

Inner ring: stainless steel, hardened and ground

Outer ring: stainless steel body pressed around, outer race lined with bronze-PTFE composite

Lubrication: maintenance free



order number	right hand thread	left hand thread	measurement [mm]				
SSA 12 T/K	12	M 12	16	12,00	32		

type	measurement [mm]			load rating C ₀ [kN]	weight [kg]
	i, min	i, min	h		
SSA / SSAL 12 T/K	32	54	13	24,0	0,085

CARATTERISTICHE DEL PRODOTTO

Marchio	DURBAL
N° Ean13	3663952490700
Diametro interno	12 mm
Diametro esterno	32 mm
Spessore	16 mm
Tipo	SA
Peso	85 g
Il filo	Filetto destro
Lubrificazione	senza
Imballaggio	1

contatto@123cuscinetti.it

+33 3 59 36 04 90

CRT4 de Lesquin 60 Rue Du Haut De Sainghin 59273 Fretin FRANCE