

## Teste a snodo SA SSA10-T-K-DURBAL - SSA10-T-K-DURBAL

<https://www.123cuscinetti.it/cuscinetti-supporti/teste-snodo/sa/ssa10-t-k-durbal>

### SSA10-T-K



**male thread:** maintenance free, according to DIN ISO 12240-4, series K, in stainless steel

**Description:** DIN ISO rod end K series. Made of spherical plain bearing DG...PW pressed into rod end body. Sliding combination steel / bronze-PTFE composite.

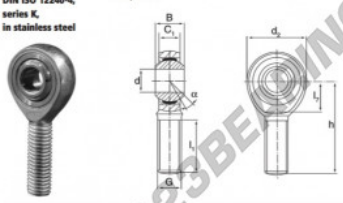
**Red end body:** stainless steel

**Sliding combination:** steel / bronze-PTFE composite

**Inner ring:** stainless steel, hardened and ground

**Outer ring:** stainless steel body pressed around, outer race lined with bronze-PTFE composite

**Lubrication:** maintenance free



order number	right hand thread	left hand thread	measurement [mm]			
SSA 10 T/K	10	M 10	14	10,50	28	

type	measurement [mm]		h	alpha [°]	load rating C <sub>0</sub> [kN]	weight [kg]
	l <sub>1</sub> min	l <sub>2</sub> min				
SSA / SSAL 10 T/K	28	48	13	18,0	0,055	

## CARATTERISTICHE DEL PRODOTTO

Marchio	DURBAL
N° Ean13	3663952490670
Diametro interno	10 mm
Diametro esterno	28 mm
Spessore	14 mm
Tipo	SA
Peso	55 g
Il filo	Filetto destro
Lubrificazione	senza
Imballaggio	1

[contatto@123cuscinetti.it](mailto:contatto@123cuscinetti.it)

+33 3 59 36 04 90

CRT4 de Lesquin 60 Rue Du Haut De Sainghin 59273 Fretin FRANCE