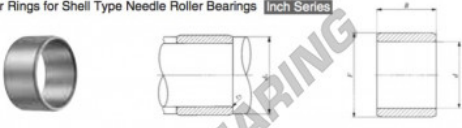


Anelli interni IRB2720-IKO - IRB2720-IKO

<https://www.123cuscinetti.it/cuscinetti-supporti/cuscinetti-rullini/anelli-interni/irb2720-iko>

IKO
INNER RINGS
Inner Rings for Shell Type Needle Roller Bearings **Inch Series**



Shaft dia. mm (inch)	Identification number	Mass (ref.) g	Boundary dimensions mm (inch)			Standard mounting dimensions mm (inch)			Assembled bearings		
			d	F	B	d_s Min. Max.	r_{max} Max.	BA--Z (BAM)	BHA--Z (BHAM)	YS YBH	
42.862 (1 7/16)	IRB 2720	146	42.862 (1 7/16)	50.800 (2)	32.13	48.5 49.5	0.6	BA	3220Z	—	—

Note(1) Minimum allowable value of chamfer dimension r
Remark No oil hole is provided.

CARATTERISTICHE DEL PRODOTTO

Marchio	IKO
N° Ean13	3663952417110
Diametro interno	42.862 mm
Diametro esterno	50.8 mm
Spessore	32.13 mm
Imballaggio	1

contatto@123cuscinetti.it

+33 3 59 36 04 90

CRT4 de Lesquin 60 Rue Du Haut De Sainghin 59273 Fretin FRANCE