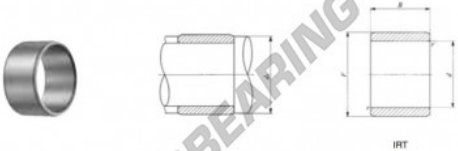


Accessorio de supporti IRT5550-IKO - IRT5550-IKO

<https://www.123cuscinetti.it/cuscinetti-supporti/supporti/accessorio/irt5550-iko>

IKO
INNER RINGS
Inner Rings for Shell Type Needle Roller Bearings



Shaft dia. mm	Identification number	Mass (Ref.) g	Boundary dimensions mm				Shoulder height mm		Assembled bearings		
			d	F	B	r _s (1)	d _s Min.	d _s Max.	TA--Z (TAM)	TLA--Z (TLAM)	YT YTL
55	IRT 5550	365	55	65	50.5	1.5	63	63.5	TAW 6550Z	—	—

Note(1) Minimum allowable value of chamfer dimension r
Remark No oil hole is provided.

CARATTERISTICHE DEL PRODOTTO

Marchio	IKO
N° Ean13	3663952411651
Diametro interno	55 mm
Diametro interno	2.165" inch
Diametro esterno	65 mm
Diametro esterno	2.559" inch
Spessore	50.5 mm
Spessore	1.988" inch
Imballaggio	1

contatto@123cuscinetti.it

+33 3 59 36 04 90

CRT4 de Lesquin 60 Rue Du Haut De Sainghin 59273 Fretin FRANCE