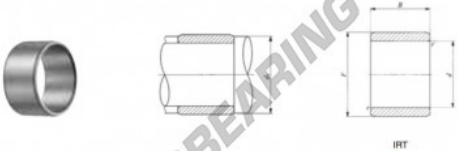


## Accessorio de supporti IRT5045-IKO - IRT5045-IKO

<https://www.123cuscinetti.it/cuscinetti-supporti/supporti/accessorio/irt5045-iko>

**IKO**  
**INNER RINGS**  
Inner Rings for Shell Type Needle Roller Bearings



Shaft dia. mm	Identification number	Mass (Ref.) g	Boundary dimensions mm				Serial numbering class: mm		Assembled bearings		
			d	B	r <sup>(1)</sup> min.	d <sub>s</sub> Min. Max.	TA--Z (TAM)	TLA--Z (TLAM)	YT YTL		
50	IRT 5045	300	50	60	45.5	1.5	58	59	TAW 6045Z	—	—

Note<sup>(1)</sup> Minimum allowable value of chamfer dimension r  
Remark No oil hole is provided.

## CARATTERISTICHE DEL PRODOTTO

Marchio	IKO
N° Ean13	3663952411590
Diametro interno	50 mm
Diametro esterno	60 mm
Spessore	45.5 mm
Imballaggio	-

[contatto@123cuscinetti.it](mailto:contatto@123cuscinetti.it)

+33 3 59 36 04 90

CRT4 de Lesquin 60 Rue Du Haut De Sainghin 59273 Fretin FRANCE