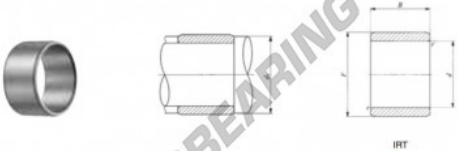


## Anelli interni IRT2526-1-IKO - IRT2526-1-IKO

<https://www.123cuscinetti.it/cuscinetti-supporti/cuscinetti-rullini/anelli-interni/irt2526-1-iko>

**IKO**  
**INNER RINGS**  
Inner Rings for Shell Type Needle Roller Bearings



Shaft dia. mm	Identification number	Mass (Ref.) g	Boundary dimensions mm				Serial marking diam. mm		Assembled bearings			
			d	F	B	r <sup>(1)</sup> Min.	d <sub>s</sub> Min. Max.	TA--Z (TAM)	TLA--Z (TLAM)	YT YTL		
25	IRT 2526-1	44	25	30	26.5	0.3	27	29	—	TLA	3026Z	—

Note<sup>(1)</sup> Minimum allowable value of chamfer dimension r  
Remark No oil hole is provided.

### CARATTERISTICHE DEL PRODOTTO

Marchio	IKO
N° Ean13	3663952410852
Diametro interno	25 mm
Diametro esterno	30 mm
Spessore	26.5 mm
Imballaggio	1

[contatto@123cuscinetti.it](mailto:contatto@123cuscinetti.it)

+33 3 59 36 04 90

CRT4 de Lesquin 60 Rue Du Haut De Sainghin 59273 Fretin FRANCE