
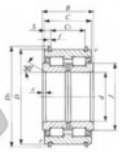


Cuscinetti a rullini NAS5052-ZZ-NR-IKO - NAS5052-ZZ-NR-IKO

<https://www.123cuscinetti.it/cuscinetti-supporti/cuscinetti-rullini/rullini/nas5052-zz-nr-iko>

IKO
ROLLER BEARINGS
Roller Bearings for Sheaves

NAS50-ZZNR

Shaft dia. mm	Identification number		Mass (Ref.) kg	Boundary dimensions mm						
	Sealed type	Shield type		d	D	D ₂	B	C	C ₁	S
260		NAS 5052ZZNR	85.0	260	400	416	190	189	154	17.5

f	c	r _s mm ⁽¹⁾	J	Basic dynamic load rating C	Static load rating C ₀	Allowable rotational speed ⁽²⁾
				N	N	rpm
7	5	2	312	2 130 000	4 510 000	350

Notes⁽¹⁾ Minimum allowable value of chamfer dimension r
⁽²⁾ Allowable rotational speed applies to grease lubrication. Considering that the axial load acts under practical operating conditions, up to 1/10 of this value is recommended for actual use.
 Remarks: 1. The NAS and NAU series with a bore diameter, d, of 17 mm or less have no oil hole. In others, the outer ring has an oil groove and two oil holes.
 2. The bearings with seals are provided with prepacked grease.

CARATTERISTICHE DEL PRODOTTO

Marchio	IKO
N° Ean13	3663952387246
Diametro interno	260 mm
Diametro esterno	400 mm
Spessore	190 mm
Imballaggio	1

contatto@123cuscinetti.it

+33 3 59 36 04 90

CRT4 de Lesquin 60 Rue Du Haut De Sainghin 59273 Fretin FRANCE