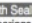

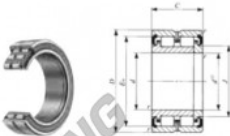


Cuscinetti a rullini TRU9012550-UU-IKO - TRU9012550-UU-IKO

<https://www.123cuscinetti.it/cuscinetti-supporti/cuscinetti-rullini/rullini/tru9012550-uu-iko>

IKO
ROLLER BEARINGS
Caged Roller Bearings 
Full Complement Roller Bearings 



Shaft dis. mm	Identification number			Mass (Ref.) g	Boundary dimensions mm				
	Full complement type	Caged type			d	D	C	r ⁽¹⁾	J
90	—	—	TRU9012550UU	1 740	90	125	50	1.5	101
<i>E_w</i>	Basic dynamic load rating C	Basic static load rating C ₀	Allowable rotational speed n ₂ rpm						
114	N	N	1,900						

Notes^(*)
⁽¹⁾ Minimum allowable value of chamfer dimension r.
^(*) Allowable rotational speed applies to grease lubrication. Considering that the axial load acts under practical operating conditions, up to 1/10 of this value is recommended for actual use.
 Remarks: 1. The NAU and NAG series with a bore diameter, d, of 17 mm or less have no oil hole. In others, the outer ring has an oil groove and two oil holes.
 2. The bearings with seals are provided with prepacked grease.

CARATTERISTICHE DEL PRODOTTO

Marchio	IKO
N° Ean13	3663952386546
Diametro interno	90 mm
Diametro esterno	125 mm
Spessore	50 mm
Imballaggio	1

contatto@123cuscinetti.it

+33 3 59 36 04 90

CRT4 de Lesquin 60 Rue Du Haut De Sainghin 59273 Fretin FRANCE