
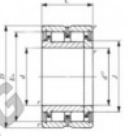


Cuscinetti a rullini TRU12517860-IKO - TRU12517860-IKO

<https://www.123cuscinetti.it/cuscinetti-supporti/cuscinetti-rullini/rullini/tru12517860-iko>

IKO
ROLLER BEARINGS
Caged Roller Bearings
Full Complement Roller Bearings

NAU49 TRU

Shaft dia. mm	Identification number		Mass (Ref.) g	Boundary dimensions mm					
	Full complement type	Caged type		d	D	C	r ⁽¹⁾ r _{s min}	J	E _w
125	---	TRU 12517860	4 490	125	178	60	1.5	143.5	162
Basic dynamic load rating C	Basic static load rating C ₀	Allowable rotational speed ⁽²⁾							
N	N	rpm							
211 000	408 000	3 000							

Notes: (1) Minimum allowable value of chamfer dimension r.
(2) Allowable rotational speed applies to grease lubrication.
Remark: This roller ring has an oil groove and an oil hole.
2. Bearings with seals on both sides are provided with prepacked grease. Bearings with a seal on one side are not provided with prepacked grease. Perform proper lubrication for use.

CARATTERISTICHE DEL PRODOTTO

Marchio	IKO
N° Ean13	3663952385761
Diametro interno	125 mm
Diametro interno	4.921" inch
Diametro esterno	178 mm
Diametro esterno	7.008" inch
Spessore	60 mm
Spessore	2.362" inch
Imballaggio	1

contatto@123cuscinetti.it

+33 3 59 36 04 90

CRT4 de Lesquin 60 Rue Du Haut De Sainghin 59273 Fretin FRANCE