

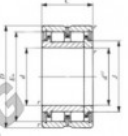


Cuscinetti a rullini NAU4908-IKO - NAU4908-IKO

<https://www.123cuscinetti.it/cuscinetti-supporti/cuscinetti-rullini/rullini/nau4908-iko>



ROLLER BEARINGS
Caged Roller Bearings
Full Complement Roller Bearings

NAU49 TRU

Shaft dia. mm	Identification number		Mass (Ref.) g	Boundary dimensions mm					
	Full complement type	Caged type		d	D	C	r _{s min} ⁽¹⁾	J	E _w
40	—	NAU 4908	220	40	62	22	0.6	46	56
Basic dynamic load rating C			Basic static load rating C ₀			Allowable rotational speed ⁽²⁾			
N			N			rpm			
23 400			29 400			8 500			

Notes: (1) Minimum allowable value of chamfer dimension r
(2) Allowable rotational speed applies to grease lubrication.
Remark: This roller ring has an oil groove and an oil hole.
2. Bearings with seals on both sides are provided with prepacked grease. Bearings with a seal on one side are not provided with prepacked grease. Perform proper lubrication for use.

CARATTERISTICHE DEL PRODOTTO

Marchio	IKO
N° Ean13	3663952385358
Diametro interno	40 mm
Diametro interno	1.575" inch
Diametro esterno	62 mm
Diametro esterno	2.441" inch
Spessore	2 mm
Spessore	0.079" inch
Imballaggio	1

contatto@123cuscinetti.it

+33 3 59 36 04 90

CRT4 de Lesquin 60 Rue Du Haut De Sainghin 59273 Fretin FRANCE