

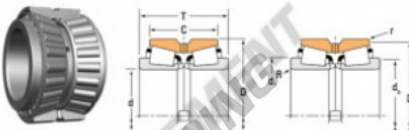
## Cuscinetti conico

# LM637349NW-LM637310D-TIMKEN - LM637349NW-LM637310D-TIMKEN

<https://www.123cuscinetti.it/cuscinetti-supporti/cuscinetti-rulli/conico/lm637349nw-lm637310d-timken>

**TAPERED ROLLER BEARINGS**  
DOUBLE ROW • TYPE TNASWE

**TYPE TNASWE**



Bearing Dimensions				Load Ratings						
Bore d	O.D. D	Width T	Double Outer Ring Width C	Dynami <sup>1</sup> C <sub>10</sub>	Stati <sup>2</sup> Y <sub>1</sub>	Y <sub>2</sub>	Dynami <sup>3</sup> C <sub>90</sub>	C <sub>50</sub>	C <sub>100</sub>	Factor <sup>4</sup> K
mm	mm	mm	mm	N	N	N	N	N	N	
184.150	242.888	95.250	95.400	32200	0.42	1.01	2.40	8800	12000	1.30
7.260	9.3625	3.700	2.700					18100	13000	21000

Part Number		Dimensions						Bearing Weight
Inner	Outer	Outside Dia. D <sub>1</sub>	Max Shaft Fillet Radius R <sub>1</sub>	Bearing Shoulder Dia. d <sub>2</sub>	Max Housing Fillet Radius r <sub>1</sub>	Stacking Shoulder Dia. D <sub>2</sub>		
mm	mm	mm	mm	mm	mm	mm	kg	
LM637349NW	LM637310D	216.4	3.5	188.0	0.8	206.0	16.90	
		6.480	0.14	1.60	0.03	9.20	24.210	

## CARATTERISTICHE DEL PRODOTTO

Marchio	TIMKEN
N° Ean13	3663952375007
Diametro interno	184.15 mm
Diametro esterno	242.888 mm
Spessore	95.25 mm
Imballaggio	1

[contatto@123cuscinetti.it](mailto:contatto@123cuscinetti.it)

+33 3 59 36 04 90

CRT4 de Lesquin 60 Rue Du Haut De Sainghin 59273 Fretin FRANCE