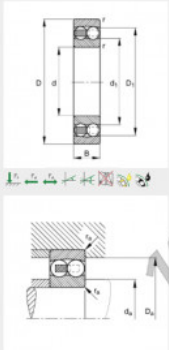


## Cuscinetti orientabili a sfere 2313-TVH-C3-FAG - 2313-TVH-C3-FAG

<https://www.123cuscinetti.it/cuscinetti-supporti/cuscinetti-sfera/orientabili-sfere/2313-tvh-c3-fag>

Self-aligning ball bearings 2313-TVH  
main dimensions to DIN 630



d	65 mm
D	140 mm
B	48 mm
D <sub>1</sub>	118,9 mm
D <sub>2 max</sub>	128 mm
d <sub>1</sub>	85,6 mm
d <sub>2 min</sub>	77 mm
f <sub>a max</sub>	2,1 mm
f <sub>int</sub>	2,1 mm
m	3,23 kg Mass
C	80000 N Basic dynamic load rating, radial
e	0,39
Y <sub>1</sub>	1,62
Y <sub>2</sub>	2,51
C <sub>0</sub>	32000 N Basic static load rating, radial
Y <sub>0</sub>	1,7
n <sub>CP</sub>	4800 1/min Limiting speed
n <sub>R</sub>	7300 1/min Reference speed
C <sub>10</sub>	1980 N Fatigue limit load, radial

### CARATTERISTICHE DEL PRODOTTO

Marchio	FAG
N° Ean13	3663952350424
Diametro interno	65 mm
Diametro esterno	140 mm
Spessore	48 mm
Imballaggio	1

[contatto@123cuscinetti.it](mailto:contatto@123cuscinetti.it)

+33 3 59 36 04 90

CRT4 de Lesquin 60 Rue Du Haut De Sainghin 59273 Fretin FRANCE