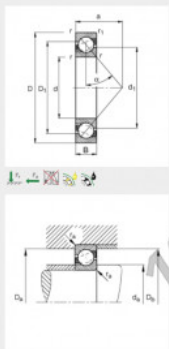


Cuscinetti a sfera fila unica 7319-B-JP-FAG - 7319-B-JP-FAG

<https://www.123cuscinetti.it/cuscinetti-supporti/cuscinetti-sfera/fila-unica/7319-b-jp-fag>

Angular contact ball bearings 7319-B-JP
main dimensions to DIN 628-1, contact angle $\alpha = 40^\circ$



| | |
|--------------------|--|
| d | 95 mm |
| D | 200 mm |
| B | 45 mm |
| a | 84 mm |
| D ₁ | 159.5 mm |
| D _{1max} | 160 mm |
| D _{2max} | 193 mm |
| d ₁ | 137.1 mm |
| d _{2max} | 109 mm |
| r _{1max} | 1.1 mm |
| r _{2max} | 2.5 mm |
| f _a | 1 mm |
| f _{awmax} | 3 mm |
| f _{aw} | 3 mm |
| α | 40 ° Contact angle |
| m | 5.93 kg Mass |
| C | 169000 N Basic dynamic load rating, radial |
| C ₀ | 167000 N Basic static load rating, radial |
| n ₀ | 4000 1/min Limiting speed |
| n ₀₂ | 3800 1/min Reference speed |
| C ₁₀ | 9300 N Fatigue limit load, radial |

CARATTERISTICHE DEL PRODOTTO

| | |
|------------------|---------------|
| Marchio | FAG |
| N° Ean13 | 3663952348193 |
| Diametro interno | 95 mm |
| Diametro interno | 3.74" inch |
| Diametro esterno | 200 mm |
| Diametro esterno | 7.874" inch |
| Spessore | 45 mm |
| Spessore | 1.772" inch |
| Peso | 5930 g |
| Imballaggio | 1 |

contatto@123cuscinetti.it

+33 3 59 36 04 90

CRT4 de Lesquin 60 Rue Du Haut De Sainghin 59273 Fretin FRANCE